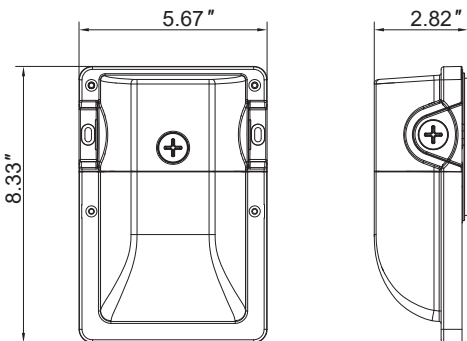


Wall Pack Light

LED Mini Wall Pack Light Fixture

DESCRIPTION

Wall Pack LED luminaires provide high performance energy efficient lighting in a traditional form. Rugged die-cast aluminum construction and padded housing are virtually impermeable to contaminants. are ideal for path lighting, building entrances, vehicle ramps, schools, tunnels, stairs and loading docks.



DIMENSION

Type	6inch
Width(Inch)	5.67
Depth(Inch)	2.82
Height(Inch)	8.33
Weight(lbs)	1.32

ORDERING INFORMATION

Series	LJC-LSWP-828N-50-11
Voltage	120V/60HZ
Wattage	28
CCT	5000K
Lumens(lm)	3080
Efficacy(lw/m)	110
Function	Daylight sensor



PRODUCT DESCRIPTION

- Super bright LED SMD2835
- Lumen output: 110LM/W(5000K)
- AC120V/60Hz
- Designed with semi-cut off feature Housing materials: ADC12
- Daylight sensor
- PC cover
- Suitable for wet location
- Temperature: -20°C to 50°C CRI>80, PF>0.9, THD<20%
- Surge protection: L-N:2KV, L/N-PE:2KV
- IP65

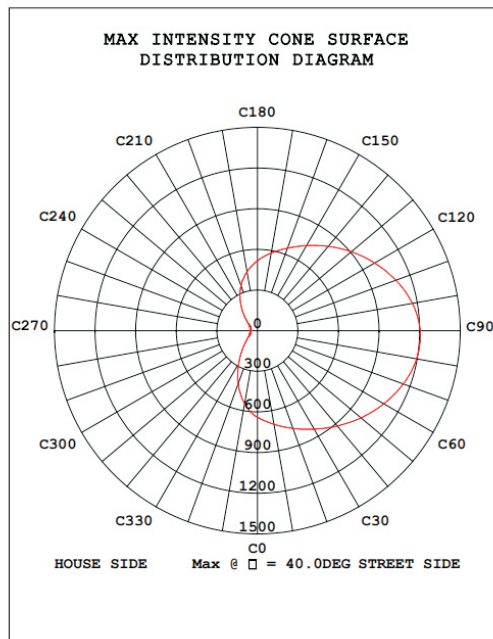
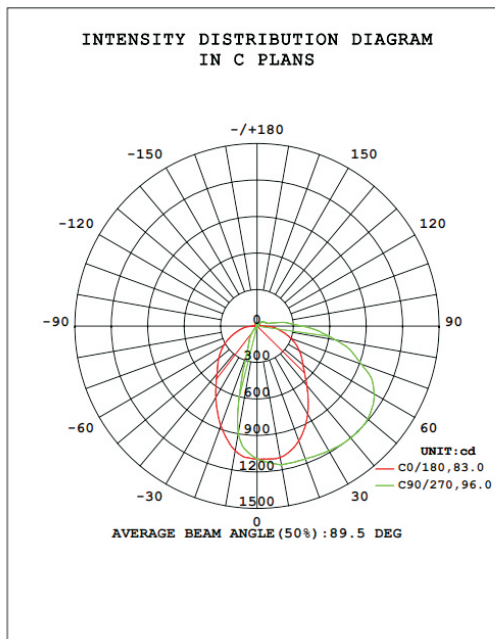
Applications

Perfect for wet location, especially on the wall of house, villa, parking lot, garden, etc

- Entrance lighting, courtyard lighting
- Industrial lighting, outdoor landscape lighting
- Building, hotel, house, villa, parking lot, garden, etc



PHOTOMETRY



WARRANTY

This product is warranted for 5 years from the date of purchase. If this product does not perform to the specifications supplied on this package, send an email to support@runbisonlighting.com for product return and replacement. This replacement is the sole remedy available. Liability for incidental or consequential damage is expressly excluded.

