



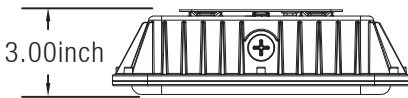
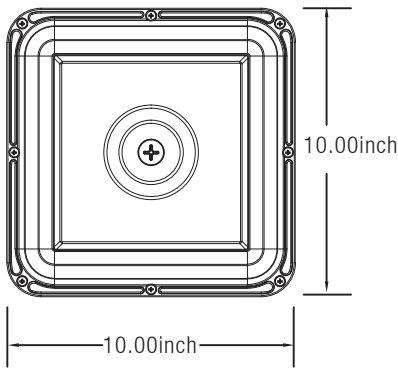
Project \_\_\_\_\_ Catalog # \_\_\_\_\_ Prepared by \_\_\_\_\_ Notes \_\_\_\_\_ Order # \_\_\_\_\_ Date \_\_\_\_\_

# LED Garage & Canopy Light

## CCT & Wattage Selectable LED Garage & Canopy Light

### DESCRIPTION

LED garage & canopy lights provide some excellent benefits for parking garage applications because of how they generate light and how they distribute light. Light emitting diodes generate light via a semi-conductor, as opposed to the consumption of a “fuel source” like in HID lamps. In regards to “distributing” light, LED fixtures commonly utilize “multi-point” sources, meaning the fixtures have multiple diodes with individual optics. When you compare this to the way most HID fixtures distribute light (with a single bulb and reflectors within the fixture), the result is light that is more evenly “distributed” across a surface.



### DIMENSION

Series	LJC-LGCL-8803-30-1
Width(Inch)	10
Depth(Inch)	10
Height(Inch)	3
Weight(lbs)	4.41

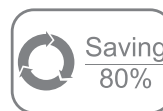
### ORDERING INFORMATION

Series	LJC-LGCL-8803-30-1
Voltage	AC120-277V
Wattage	60-70-80W
CCT	3000/4000/5000K
Lumens(lm)	8400LM-9800LM-11200LM
Efficacy(lw/m)	3000K-130LM/W, 4000K-140LM/W, 5000K-135LM/W
Dimming	0-10V

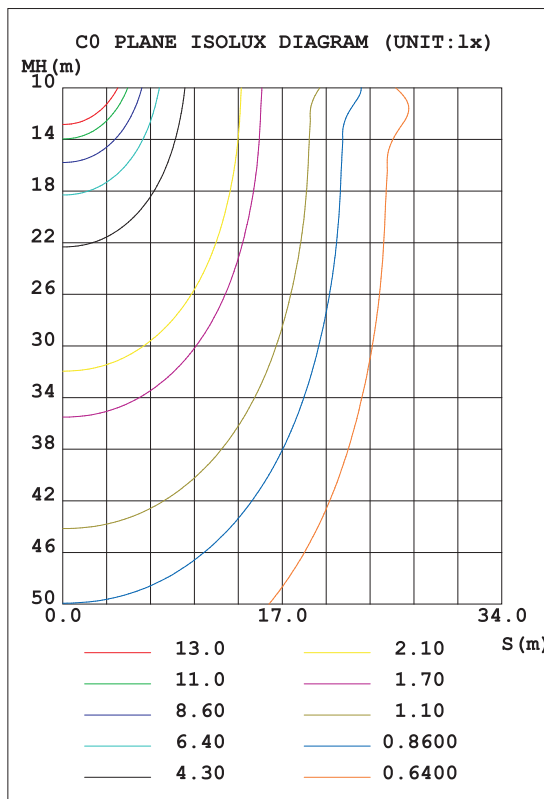
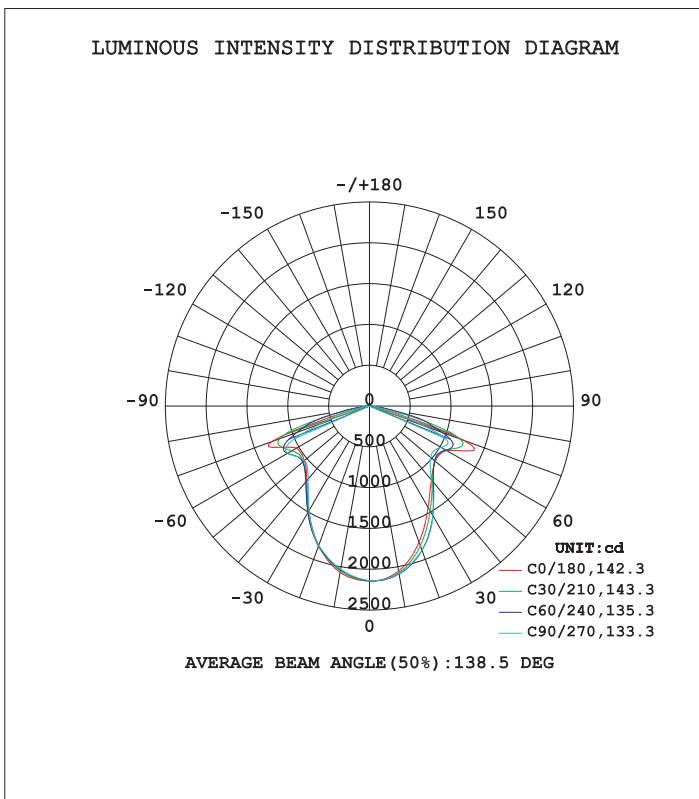


## PRODUCT DESCRIPTION

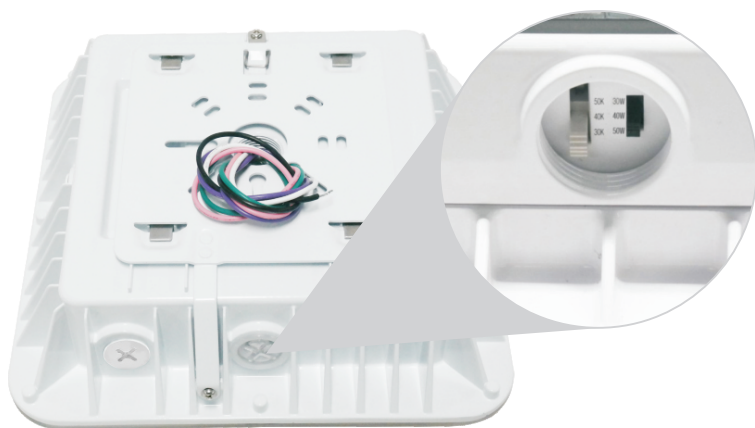
- Input Voltage: AC120-277V Efficiency:
- 3000K-130LM/W,4000K-140LM/W, 5000K-135LM/W
- Non-flicker
- 0-10V dimming, SMD2835 LEDs
- PF>0.9, CRI≥80
- Surge protection: L-N:6KV, L/N-PE:6KV
- IP65
- 5 years warranty
- Zigbee, Bluetooth, Wi-Fi (Optional)
- Lightcloud NLC system ID: N-MIFEGD



## PHOTOMETRY



## ORDERING INFORMATION



Power Selectable

60W 70W 80W

CCT Selectable

3000K 4000K 5000K

## WARRANTY

This product is warranted for 5 years from the date of purchase. If this product does not perform to the specifications supplied on this package, send an email to [support@runbisonlighting.com](mailto:support@runbisonlighting.com) for product return and replacement. This replacement is the sole remedy available. Liability for incidental or consequential damage is expressly excluded.