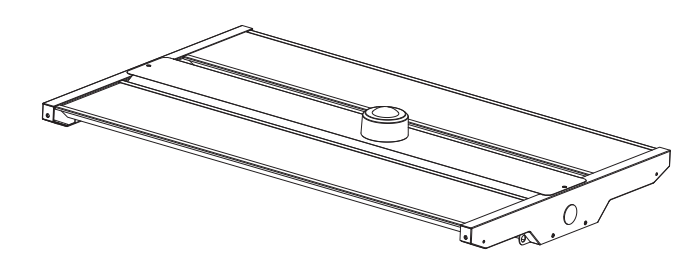


Item:
 HT-G3LHB-2FT2L-F8155/277-250D-S
 HT-G3LHB-2FT2L-F8210/277-250D-S
 HT-G3LHB-2FT2L-F8155/277-250D
 HT-G3LHB-2FT2L-F8210/277-250D

LED HIGH BAY
 With Optional Motion Sensor



SAFETY INSTRUCTION

⚠ WARNING

- To reduce the risk of death, personal injury or property damage from fire, electric shock, falling parts, cuts, abrasions, and other hazards read all warnings and instructions included with and on the fixture box and all fixture labels.
- Before installing, servicing, or performing routine maintenance upon this equipment, follow these general precautions:
 - Commercial installation, service and maintenance of luminaires should be performed by a qualified licensed electrician.
 - For the installation: If you are unsure about the installation or maintenance of the luminaires, consult a qualified licensed electrician and check your local electrical code.
 - To prevent wiring damage or abrasion, do not expose wiring to edges of sheet metal or other sharp objects.
 - Do not make or alter any open holes in an enclosure of wiring or electrical components during installation.

⚠ WARNING

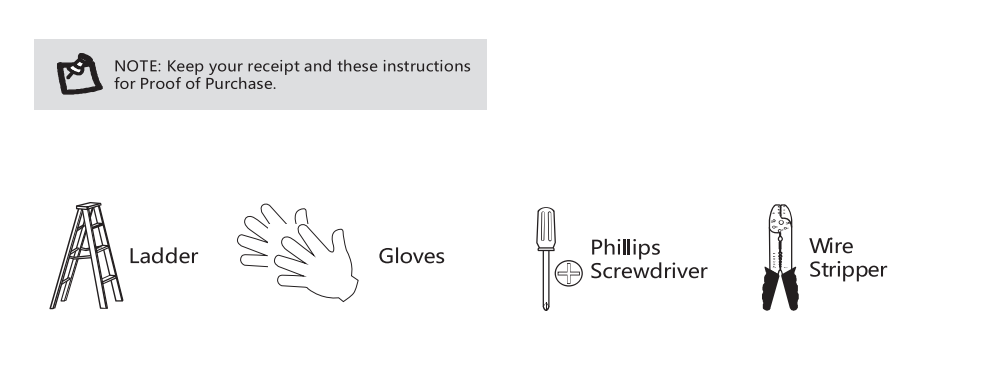
- Turn off electrical power at fuse or circuit breaker box before wiring fixture to the power supply.
- Turn off the power when you perform any maintenance.
- Verify that supply voltage is correct by comparing it with the luminaire label information.
- All wiring connections should be capped with UL approved wire connectors.

⚠ CAUTION

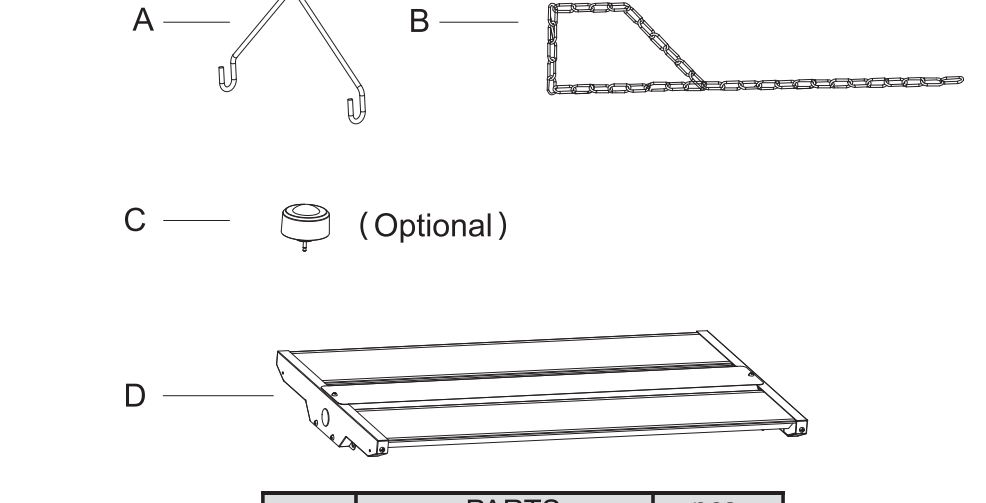
- Avoid direct eye exposure to the light source while it is on.
- Account for small parts and destroy packing material, as these may be hazardous to children.
- Risk of burn. Disconnect power and allow fixture to cool before changing bulbs or handling fixture.

NOTICE: Green ground screw provided in proper location. Do not relocate.
NOTICE: Minimum 10FC supply conductors.
NOTICE: Specifications and dimensions subject to change without notice.
NOTICE: Suitable for dry or damp location.

TOOLS REQUIRED

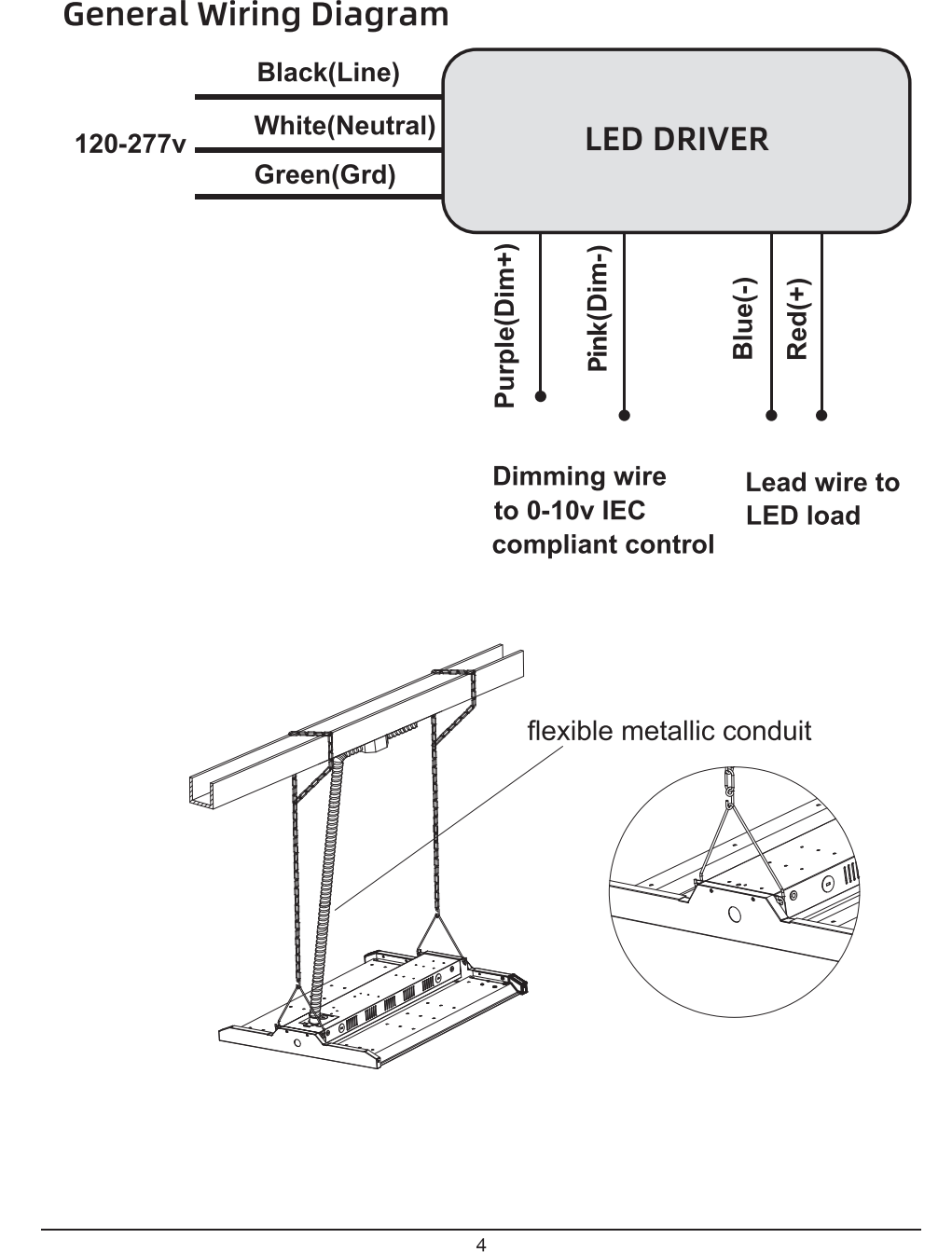


PACKAGE CONTENT



	PARTS	PCS
A	Hook	2
B	Chain	2
C	Motion Sensor	1
D	LED fixture	1

INSTALLATION INSTRUCTION



INSTALLATION INSTRUCTION

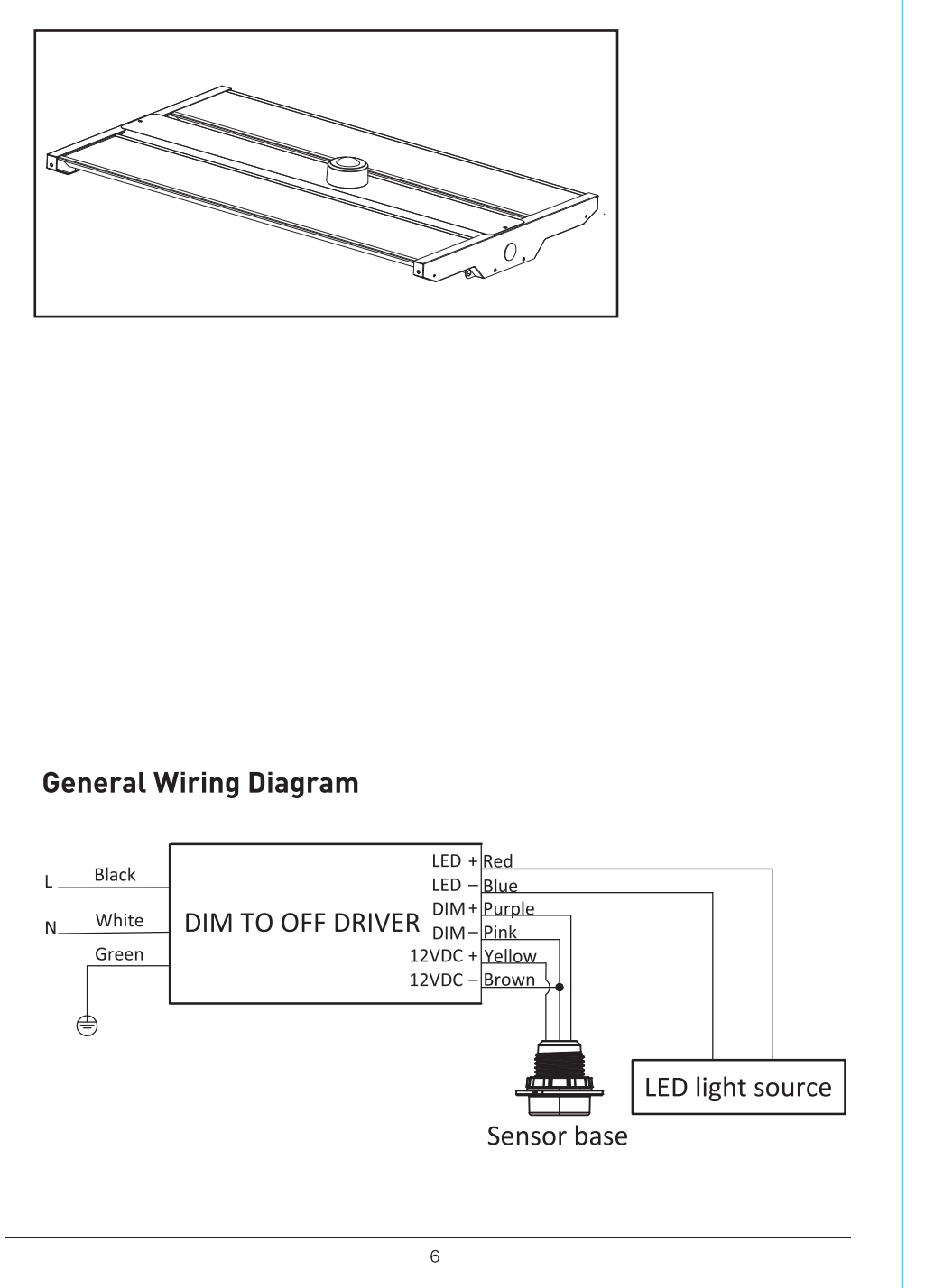
Installation Step:
 Always turn off the power supply from main circuit breaker first!
 Chain Mounting with Hook
 Step1) Clip the brackets to the side of fixture.
 Step2) Attach provided hooks to brackets.
 Step3) Attach provided chain to the hooks and mounting surface.
 *NOTE: Purple and red lead inside the driver compartment are 0-10V (low voltage) dimming leads. Connect to dimming low-voltage wiring only.
 *Caution: Clean all residues/fingerprints from the new LED high bay and lens. Double check all hanging hardware before moving onto the next installation.

With Motion Sensor-Install sensor (Optional)

1. Remove the sensor base cover.

2. Install the sensor. (C)

INSTALLATION INSTRUCTION



WARRANTY

This product is warranted for 5 years from the date of purchase. If this product does not perform to the specifications supplied on this package, send an email to support@urbison-lighting.com for product return and replacement. This replacement is the sole remedy available. Liability for incidental or consequential damage is expressly excluded.