



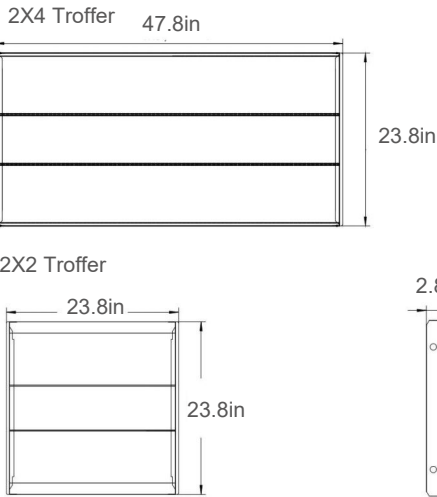
Project _____ Catalog # _____ Prepared by _____ Notes _____ Order # _____ Date _____

LED TROFFER Light Fixture

2FtX2Ft./2FtX4Ft. LED Troffer Fixture With Wattage And CCT Selectable

DESCRIPTION

The RUN BISON LED troffer fixture adopts the latest in optical and LED technology for use in many commercial applications. It provides a single pleasant volumetric soft light that fills any interior space, giving it a larger, brighter, and more productive ambiance. Color temperature can be switched to 3500k neutral white, 4000k cool white and 5000k daylight. The input wattage can be adjustable to 3 different level that helps you to save energy cost. The LED troffer is DLC and UL certified. It is popular in office, warehouse, public area and other commercial area.



DIMENSION

Type	HT-CBTRO22/277-8403-235D	HT-CBTRO24/277-8453-235D
Length(Inch)	23.8	47.8
Width(Inch)	23.8	23.8
Height(Inch)	2.8	2.8
Weight(LBS)	9.24	14.74

ORDERING INFORMATION

Series	HT-CBTRO22/277-8403-235D	HT-CBTRO24/277-8453-235D
CRI	80	80
Power	30-35-40W	34-38-45W
CCT	3500-4000-5000K	3500-4000-5000K
Lumens	3750-4375-5000LM	4250-4750-5625LM
Efficacy	125LM/W	125LM/W
Dimmable	0-10V	0-10V





SPECIFICATION FEATURES

CONSTRUCTION & OPTICS

- Unit includes heavy duty metal frame, LED array, heat sink, lens and gasket
- High quality frosted PC lens
- Efficiency LED array
- Diffuse for uniform illumination.
- CRI 80+

DRIVER

- 120-277V universal input voltage.
- 0-10V smooth flicker free dimmable.

MOUNTING

- Designed for mounting directly on the drop ceiling

COMPLIANCE/CERTIFICATION

- DLC Listed
- UL 8750 LED equipment in Lighting Products

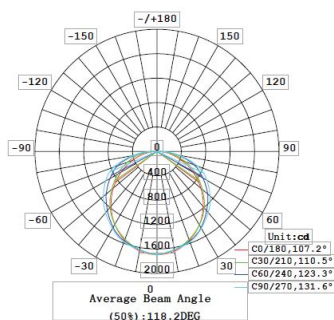
COMPLIANCE/CERTIFICATION

5 years manufacturer warranty, consult support@runbisonlighting.com for more details. Terms and conditions may apply.

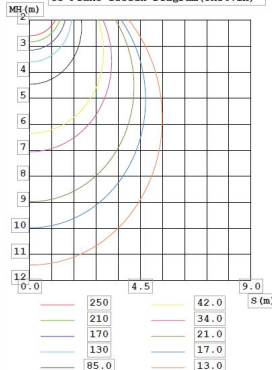


PHOTOMETRY

Luminous Intensity Distribution Diagram



Co Plane Isolux Diagram(Unit:lx)



WARRANTY

This product is warranted for 5 years from the date of purchase. If this product does not perform to the specifications supplied on this package, send an email to support@runbisonlighting.com for product return and replacement. This replacement is the sole remedy available. Liability for incidental or consequential damage is expressly excluded.

