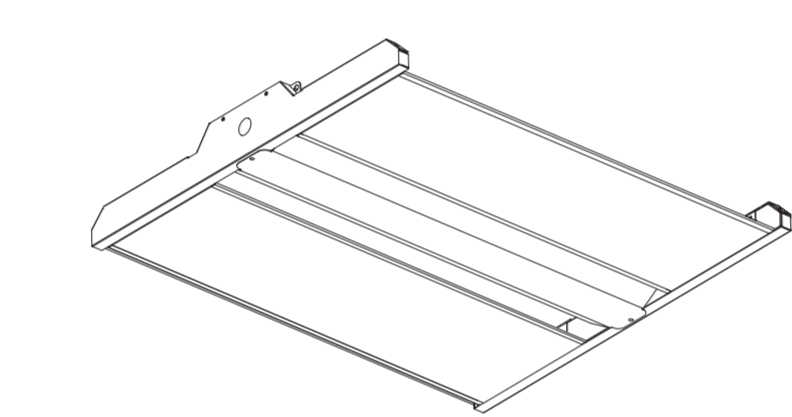


Item:
HT-G2LHB-2FT4L-F81702/277-240D

LED HIGH BAY



SAFETY INSTRUCTION

WARNING

- To reduce the risk of death, personal injury or property damage from fire, electric shock, falling parts, vibrations, and other hazards read all warnings and instructions included with and on the fixture box and all fixture parts.
- Before installing, servicing, or performing routine maintenance upon this equipment, follow these general precautions:
- Commercial installation, service and maintenance of luminaires should be performed by a qualified licensed electrician.
- For the installation: If you are unsure about the installation or maintenance of the luminaires, consult a qualified licensed electrician and check your local electrical code.
- To prevent wiring damage or abrasion, do not expose wiring to edges of sheet metal or other sharp objects.
- Do not make or alter any open holes in an enclosure of wiring or electrical components during kit installation.

WARNING

- Turn off electrical power at fuse or circuit breaker box before wiring fixture to the power supply.
- Turn off the power when you perform any maintenance.
- Verify that supply voltage is correct by consulting it with the luminaire label information.
- All wiring connections should be capped with UL approved wire connectors.

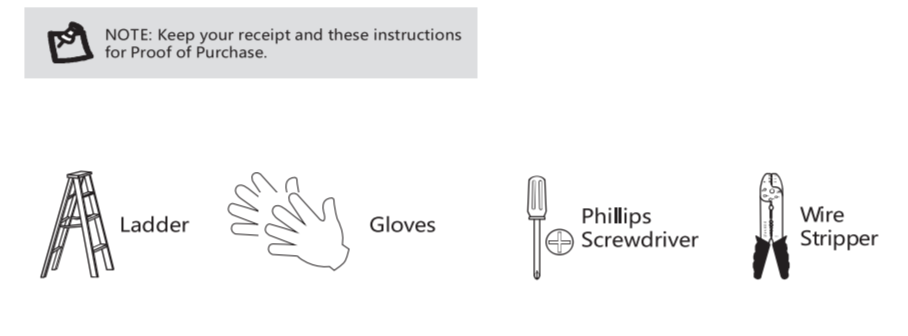
CAUTION

- Avoid direct eye exposure to the light source while it is on.
- Account for small parts and destroy packing material, as these may be hazardous to children.
- Risk of burn. Disconnect power and allow fixture to cool before changing bulb or handling fixture.

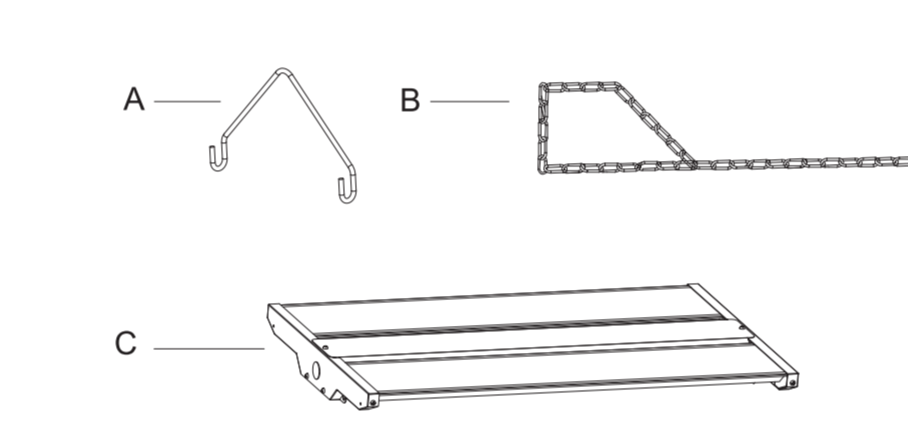
NOTE: Ground screw provided in proper location. Do not relocate.
NOTE: Minimum 30°C supply conditions.
NOTE: Specifications and dimensions subject to change without notice.
NOTE: Suitable for Dry or Damp location.

TOOLS REQUIRED

LED Kit, Read manual and Read instructions
 LED Power Protection



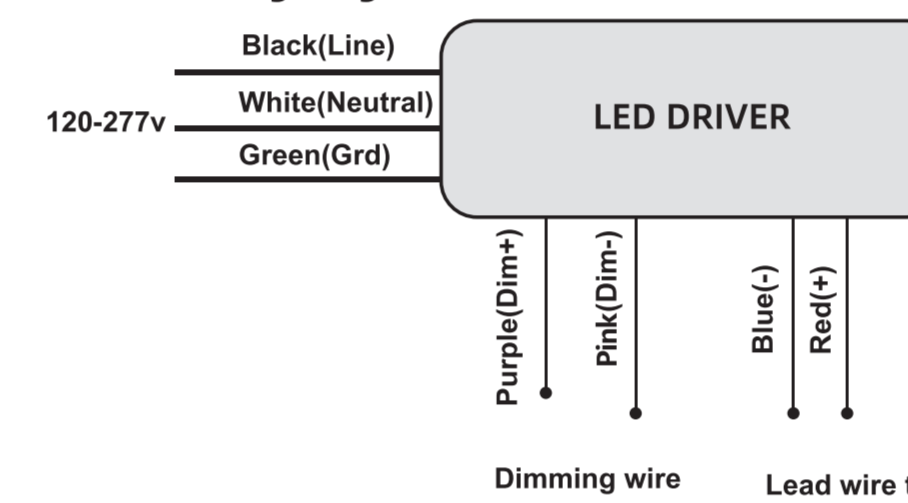
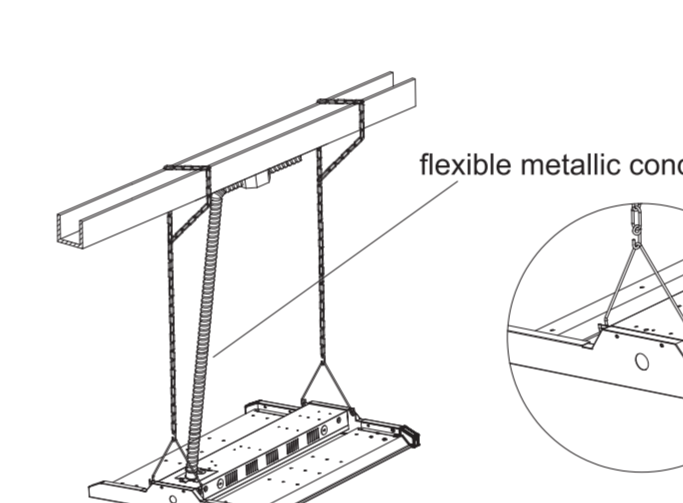
PACKAGE CONTENT



PARTS		
A	YHOOK	2
B	chain	2
C	LED Fixture	1

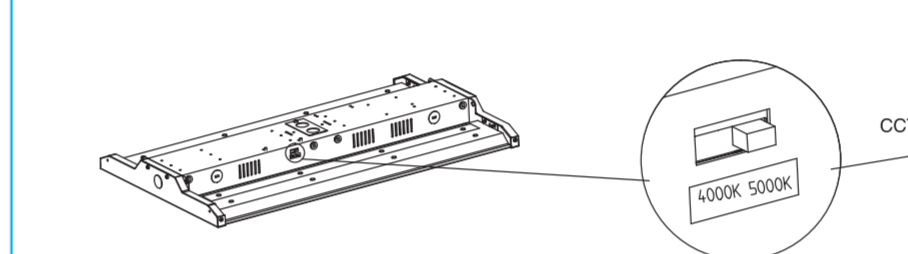
INSTALLATION INSTRUCTION

General Wiring Diagram

INSTALLATION INSTRUCTION

Field-Adjustable CCT



The end users may adjust the color temperature by the DIP switch buttons integrated into the driver. The DIP switch is accommodated with 2 options (left and right), corresponding to 2 color temperatures, which can perform the desired color temperatures.

Factory Setting: 5000K

- DIP switch is located onto the side of the fixture.
- Select color temperature by sliding switch left or right to the desired value.

Installation Step:

Always turn off the power supply from main circuit breaker first!

Chain-Mounting with YHOOK

- Clip the brackets to the slots of fixture.
- Step: Attach provided YHOOK to bracket.
- Step: Attach provided chain to the YHOOK and mounting surface.

NOTE: Purple and pink lead inside the driver compartment are 0-10V (low voltage) dimming leads. Connect to dimming low voltage wiring only.

- Clean all residues/fingerprints from the new LED high bay and lens. Double check all hanging hardware before moving onto the next installation.

WARRANTY

This product is warranted for 5 years from the date of purchase. If this product does not perform to the specifications outlined in the package insert or email to support@ledlighting.com for product defect and replacement. This replacement is the one warranty available. Liability for accidental or consequential damage is expressly excluded.

反面

