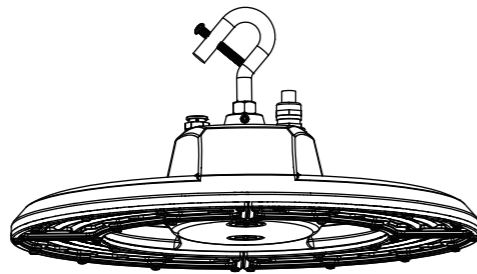


Item:SWD20-200W-85-HH1-TP-50K

## LED UFO NSF-Rated High Bay Light Fixture

Our UFO high bay light is a cost-efficient solution and great replacement for metal halides, HID or CFL Bulbs. Upgrading to LED can save your money on your electricity bill, improve visibility, help you work safely, and enhance productivity.



## Safety Instruction

### ⚠ WARNING

- To reduce the risk of death, personal injury or property damage from fire, electric shock, falling parts, cuts/abrasions, and other hazards read all warnings and instructions included with and on the fixture box and all fixture labels.
- Before installing, servicing, or performing routine maintenance upon this equipment, follow these general precautions.
- Commercial installation, service and maintenance of luminaires should be performed by a qualified licensed electrician.
- For the installation: If you are unsure about the installation or maintenance of the luminaires, consult a qualified licensed electrician and check your local electrical code.
- To prevent wiring damage or abrasion, do not expose wiring to edges of sheet metal or other sharp objects.
- Do not make or alter any open holes in an enclosure of wiring or electrical components during kit installation.
- This wash down High bay within the input voltage range: 120-277VAC, 50/60Hz.
- If input voltage exceeds this range, it may cause tube failure. Please be sure to operate under correct input voltage.
- Ensure ambient operating temperature of -40C° through 45 C°.
- Using this wash down High bay in temperatures outside of this range will reduce the wash down High bay lifespan.
- Make sure to turn off power before starting the installation process.

### ⚠ ATTENTION

IP rating: IP69K  
Please keep the wash down High bay away from any corrosive substance.

### ⚠ CAUTION

- Avoid direct eye exposure to the light source while it is on.
- Account for small parts and destroy packing material, as these may be hazardous to children.
- Risk of burn. Disconnect power and allow fixture to cool before changing bulb or handing fixture.

NOTICE: Green ground screw provided in proper location. Do not relocate.

NOTICE: Minimum 90° supply conductors.

NOTICE: Specifications and dimensions subject to change without notice.

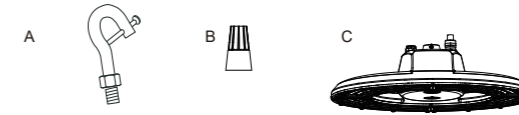
NOTICE: Suitable for Wet location

## Tools Required

NOTE: Keep your receipt and these instructions for Proof of Purchase.

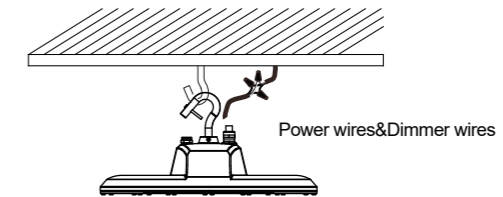


## Optional fittings :



|   | PARTS       | pcs |
|---|-------------|-----|
| A | Hook        | 1   |
| B | WIRE NUT    | 5   |
| C | LED Fixture | 1   |

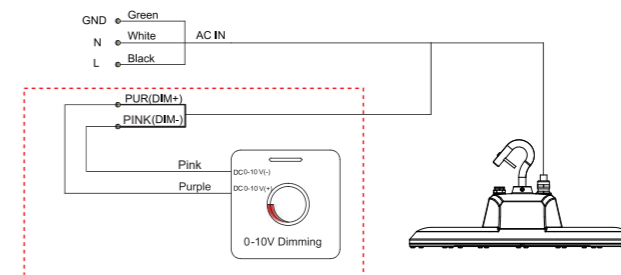
## Electrical Schematic Diagram



Connect the black wire(Live Wire), white (Neutral wire) and green wire (Ground) to the appropriate wire inside Junction box.

To make the fixture dimmable, please connect 0-10V dimmer( not include) with the dimming signal of fixture, connect DIM+ port and DIM- port with corresponding line on the dimmer.

### With out any function,0.10v Dimming wiring diagram



## INSTALLATION GUIDE

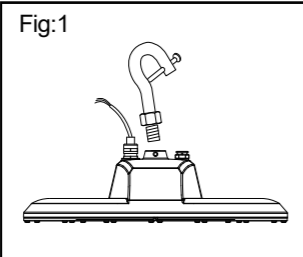


Fig:1

1. Tighten the hook clockwise

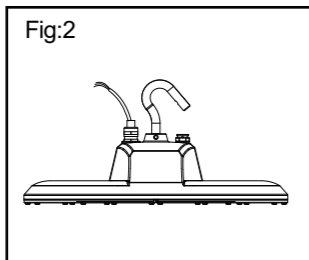


Fig:2

2. Tighten the short screw

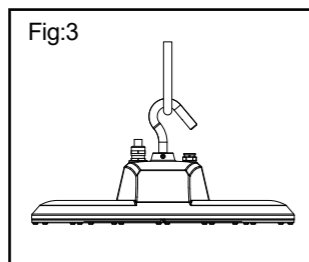


Fig:3

3. Hang the light

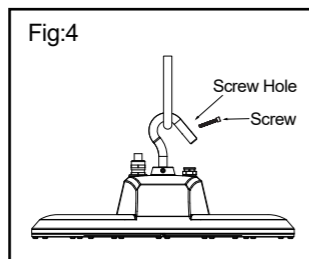


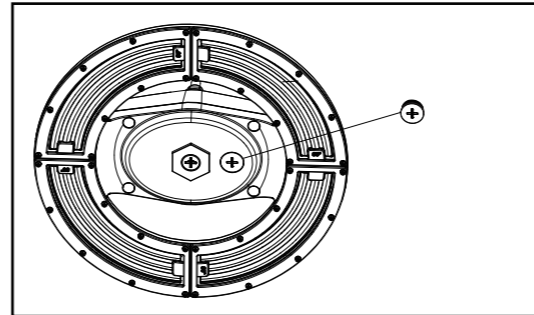
Fig:4

4. Tighten the long screw

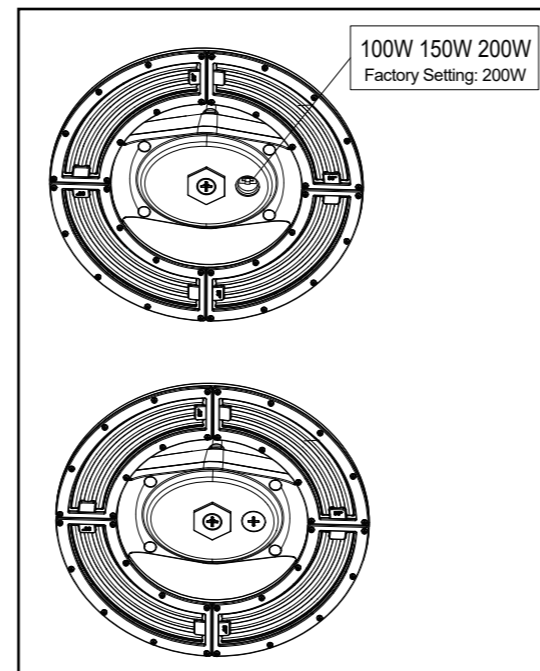
## INSTALLATION GUIDE

### How To Change The Output

1. Take off the cap on the side of fixture



2. Turn on switch. After adjusting to the required power. Then twist in cap tightly



## WARRANTY

This product is warranted for 5 years from the date of purchase. If this product does not perform to the specifications supplied on this package, send an email to us for product return and replacement. This replacement is the sole remedy available. Liability for incidental or consequential damage is expressly excluded.