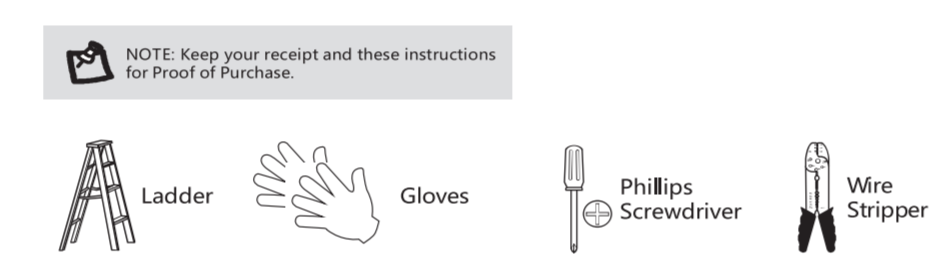


Item:
HT-G1LVTP-8FTZ77-8903-235D

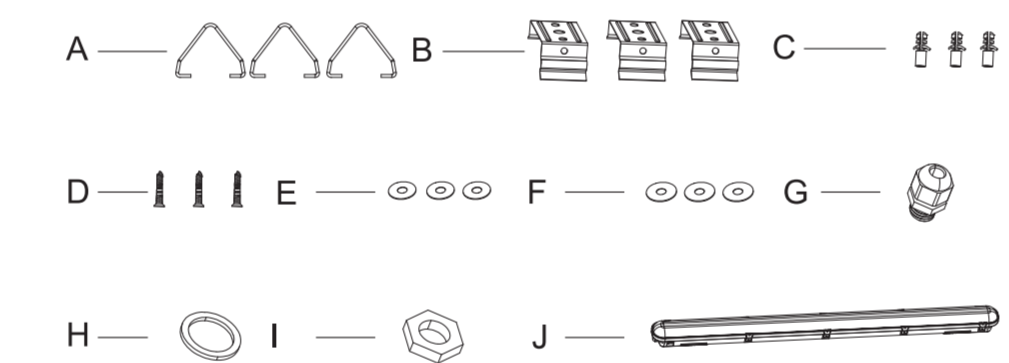
LED VAPOR TIGHT



TOOLS REQUIRED



PACKAGE CONTENT



PARTS	PCS
A VHOOK	3
B bracket	3
C plastic tube	3
D screw	3
E mental gasket 4"X2"X.7	3
F rubber gasket 4"X2"X.1	3
G nut CMK	1
H sealing ring FR-PT13.5	1
I plug	1
J LED fixture	1

* Installation hardware is packed inside fixture housing

SAFETY INSTRUCTION

⚠ WARNING

- To reduce the risk of death, personal injury or property damage from fire, electric shock, falling parts, cuts, abrasions, and other hazards read all warnings and instructions included with and on the fixture box and all fixture labels.
- Before installing, servicing, or performing routine maintenance upon this equipment, follow these general precautions:
 - Commercial installation, service and maintenance of luminaires should be performed by a qualified licensed electrician.
 - For the installation, if you are unsure about the installation or maintenance of the luminaires, consult a qualified licensed electrician and check your local electrical code.
 - To prevent wiring damage or disconnection, do not expose wiring to edges of sheet metal or other sharp objects.
 - Do not make or alter any open holes in an enclosure of wiring or electrical components during its installation.

⚠ WARNING

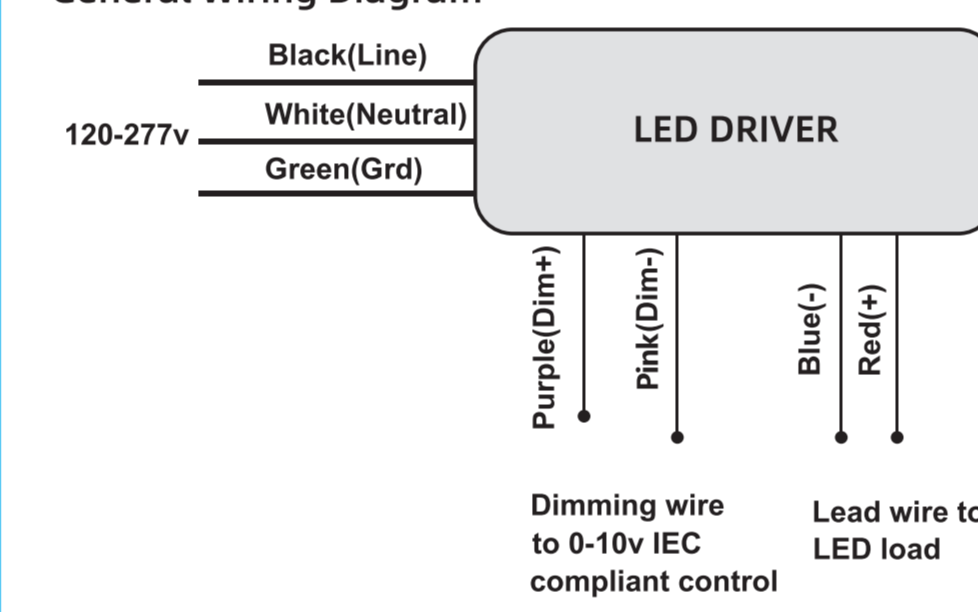
- Turn off electrical power at fuse or circuit breaker box before wiring fixture to the power supply.
- Turn off the power when you perform any maintenance.
- Verify that supply voltage is correct by comparing it with the luminaire label information.
- All wiring connections should be equipped with UL approved wire connectors.

⚠ CAUTION

- Avoid direct eye exposure to the light source while it is on.
- Account for small parts and electrically packing material, as these may be hazardous to children.
- Risk of burn. Disconnect power and allow fixture to cool before changing bulb or handling fixture.
- NOTE: Green ground screw provided in proper location. Do not relocate.
- NOTE: Minimum 90°C supply conductors.
- NOTE: Specifications and dimensions subject to change without notice.
- NOTE: Suitable for Wet location.

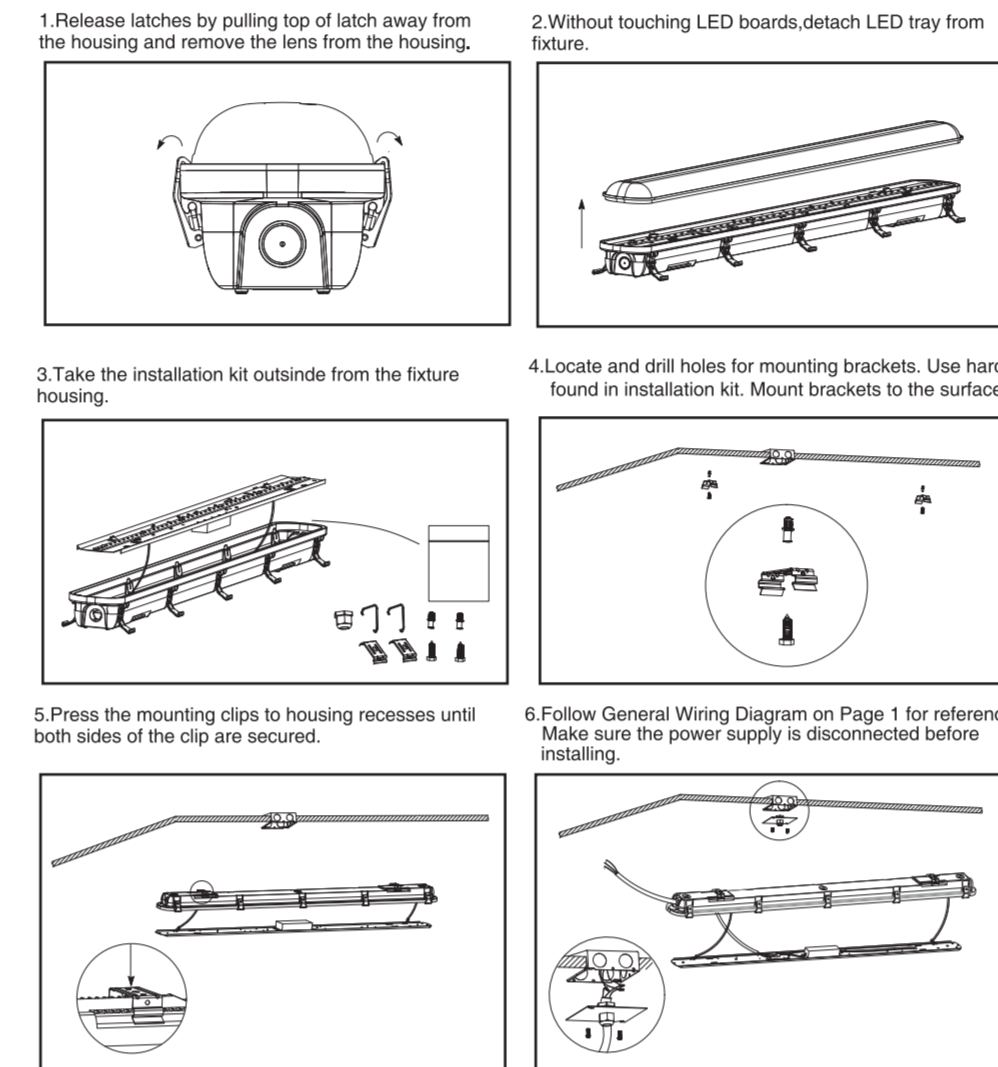
INSTALLATION INSTRUCTION

General Wiring Diagram



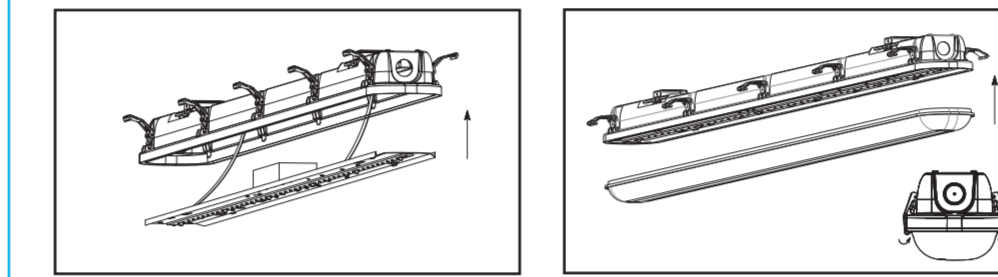
INSTALLATION INSTRUCTION

Surface Mounting



INSTALLATION INSTRUCTION

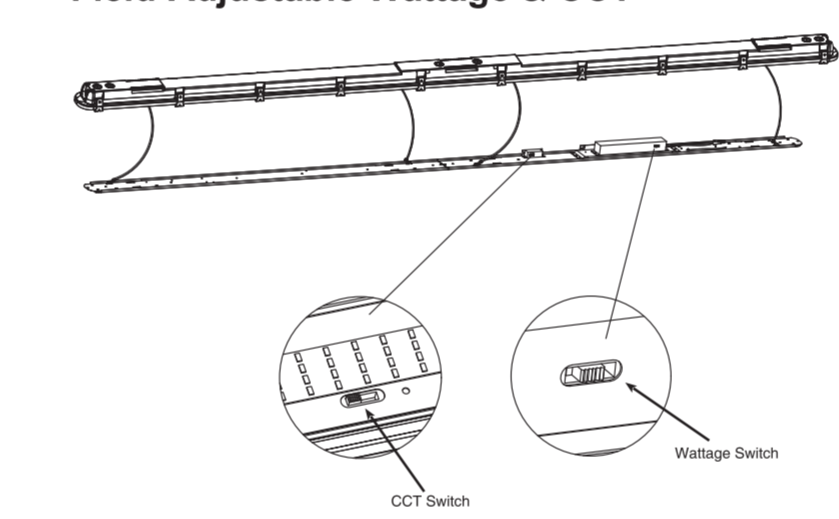
7. Attach LED strip to fixture by mounting strip 2.



Note:
Connect the flexible cord (JFPE 18000) not included in the driver mount arms.
Be sure to connect the wire bundle and strain relief to the underside of the housing.
To ensure that the gap is sealed to air.

INSTALLATION INSTRUCTION

Field-Adjustable Wattage & CCT



The end users may adjust the color temperature and lumen output respectively by the two DIP switch buttons integrated into the driver. Each DIP switch is accommodated with 3 options (left, middle and right) corresponding to 3 color temperature and 3 powers respectively, which can perform the desired color temperature and lumen output combination.
Factory Settings: 40W/300K
1. DIP switches are located onto the LED Module holder plate. (See Fig. D)
2. Select a wattage and color temperature by sliding switch left or right respectively to the desired value. (See Fig. D)

WARRANTY

This product is warranted for 5 years from the date of purchase. If this product does not perform to the specifications supplied on this package send an email to support@ledlighting.com for product return and replacement. This replacement is the sole remedy available. Liability for incidental or consequential damage is expressly excluded.