



Project | Catalog # | Prepared by | Notes | Order # | Date

# LED Landscape Spot Bullet Light Series

## 5CCT LED Low Voltage Landscape Bullet Spot Light



### DESCRIPTION

This LED Landscape Lighting is solution for Outdoor lighting, LED technology means no bulbs to replace making the light virtually maintenance free. The high CRI of 90+ lets this low voltage Landscape Bullet Spot Light bring out the natural color of objects. Rugged aluminum housing with corrosion resistance & heat dissipation. IP65 rating brings better waterproof performance, best choice for outdoor wet locations, resistant to damage of heavy rains. With 50,000hrs long lifespan and backed by a 5-year warranty, these landscaping spot lights can be connected several packs of the products or other kinds of lawn lamps satisfy more requirements.





## LED Landscape Spot Bullet Light Series

5CCT LED Low Voltage Landscape Bullet Spot Light



### SPECIFICATION FEATURES

#### 5CCT

- Select color temperature from 2700K warm white, 3000K soft white, 3500K natural white, 4000K cool white, or 5000K daylight for your environment.

#### CONSTRUCTION

- Durable die-cast aluminum all weather construction with tempered glass lens for outdoor use.
- 4.92ft Power cord included for easy wiring.
- Waterproof wire connectors included which is compatible with 22AWG-14AWG wires.

#### FINISH

- Coated with Oil Rubbed Bronze finish perfect for corrosion resistance.

#### AMBIENT TEMP

- -20 °C -40 °C

#### PARAMETERS

- AC/DC 12V/24V low output voltage
- Compatible with a 12V transformer, the transformer is not included.

#### WARRANTY

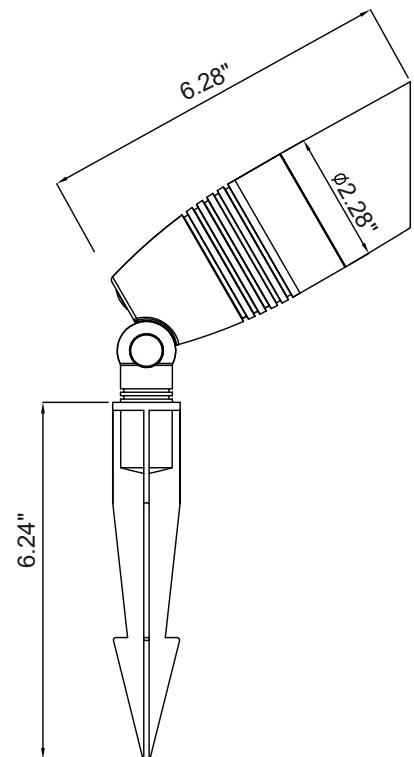
- 5-year warranty

#### CERTIFICATION

- ETL/FCC Listed

### ORDERING INFORMATION

Series	MLS-CBSL-7W-5CCT
Input Frequency	AC/DC12-24V
CRI	90
Power	7W
CCT	27K/30K/35K/40K/50K
Lumens	500-580 lm
Beam Angle	60°
Diameter(φ)	2.28
Width(Inch)	6.28
Height(Inch)	6.24
Weight(lbs)	1.08





## LED Landscape Spot Bullet Light Series

5CCT LED Low Voltage Landscape Bullet Spot Light

### INSTALLATION

Fig.1

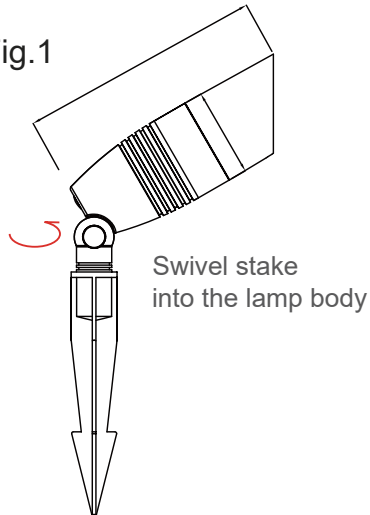
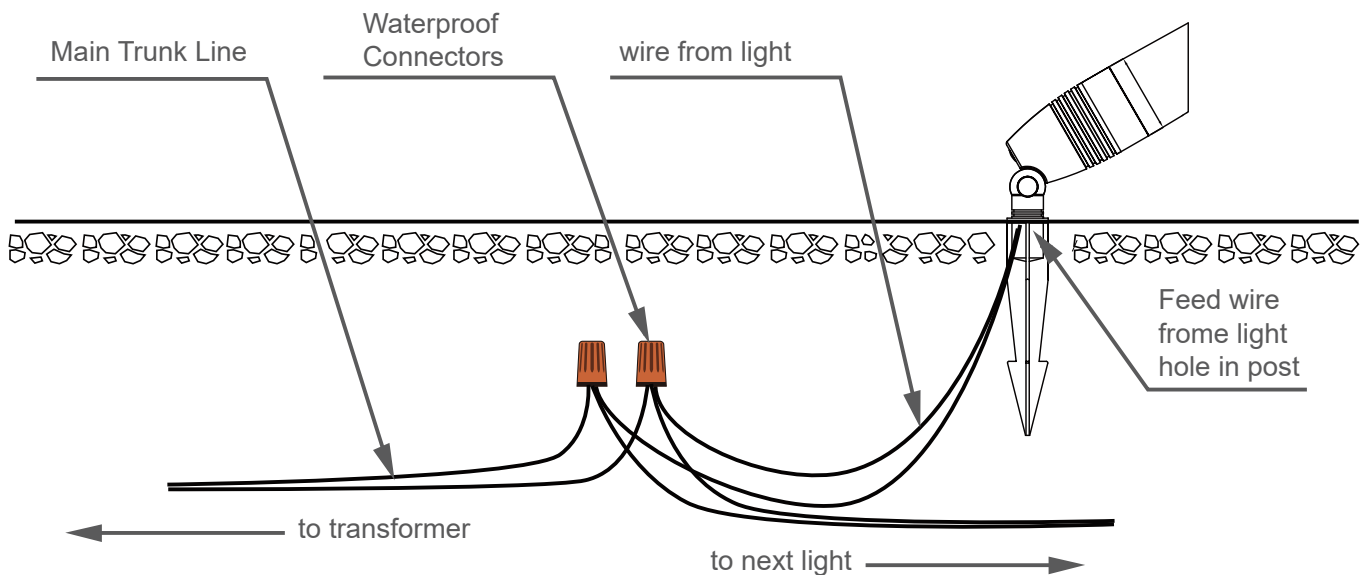


Fig.2



### WARRANTY

This product is warranted for 5 years from the date of purchase. If this product does not perform to the specifications supplied on this package, send an email to [support@runbisonlighting.com](mailto:support@runbisonlighting.com) for product return and replacement. This replacement is the sole remedy available. Liability for incidental or consequential damage is expressly excluded.



17578 Rowland St., City of Industry, CA 91748

Email: [support@runbisonlighting.com](mailto:support@runbisonlighting.com)