



Project | Catalog # | Prepared by | Notes | Order # | Date

# LED Linear High Bay Light Fixture

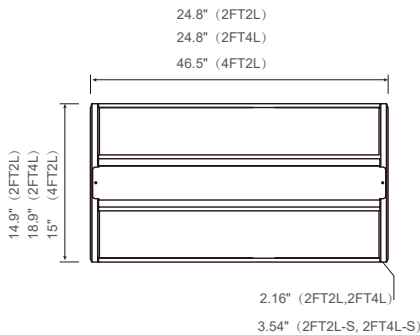
LED Linear High Bay Fixture With Optional Motion Sensor



## DESCRIPTION

The RUN BISON LED high bay light provides an exceptional quality lighting environment and more productive ambiance for workplaces, retail, office and school with high efficiency. Compared with conventional fluorescent fixtures, LED offers more than 60% or more energy saving and last at least 50000-hours with DLC standard or premium compliance. Offering substantial energy savings and no mercury lamp content.

These fixtures are DLC and UL certified.



## DIMENSION

Type	4FT2L	4FT2L-S
Length(Inch)	46.5	46.5
Width(Inch)	15	15
Height(Inch)	2.2	2.2
Weight(LBS)	14.24	14.24

## ORDERING INFORMATION

Series	LJC-LHB-4FT2L-F82701-277-250D	LJC-LHB-4FT2L-F82701-277-250D-S
CRI	80	80
Power	270W	270W
CCT	5000K	5000K
Lumens	40500LM	40500LM
Efficacy	150LM/W	150LM/W
Dimmable	0-10V	0-10V





## SPECIFICATION FEATURES

### CONSTRUCTION & OPTICS

- Unit includes heavy duty metal frame, LED array, heat sink, lens and gasket.
- High quality frosted PC lens.
- Efficiency LED array.
- Diffuse for uniform illumination.
- CRI 80+
- Optional motion sensor

### DRIVER

- 120-277V universal input voltage.
- 0-10V smooth flicker free dimmable.

### MOUNTING

- Hanging mount
- Surface Mount (Optional)

### COMPLIANCE/CERTIFICATION

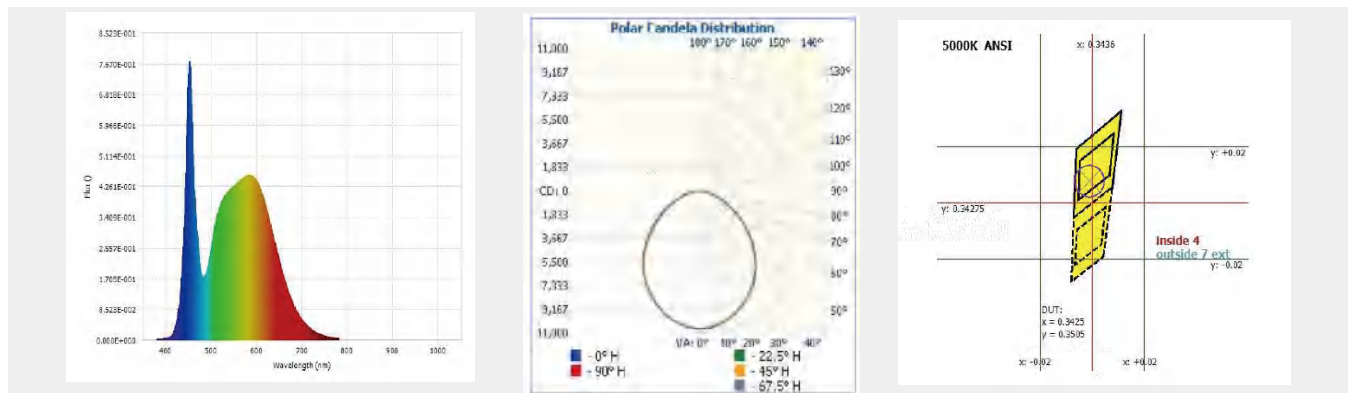
- DLC Listed
- UL 8750 LED equipment in Lighting Products

### COMPLIANCE/CERTIFICATION

5 years manufacturer warranty, consult [support@runbisonlighting.com](mailto:support@runbisonlighting.com) for more details. Terms and conditions may apply.



## PHOTOMETRY



## WARRANTY

This product is warranted for 5 years from the date of purchase. If this product does not perform to the specifications supplied on this package, send an email to [support@runbisonlighting.com](mailto:support@runbisonlighting.com) for product return and replacement. This replacement is the sole remedy available. Liability for incidental or consequential damage is expressly excluded.

