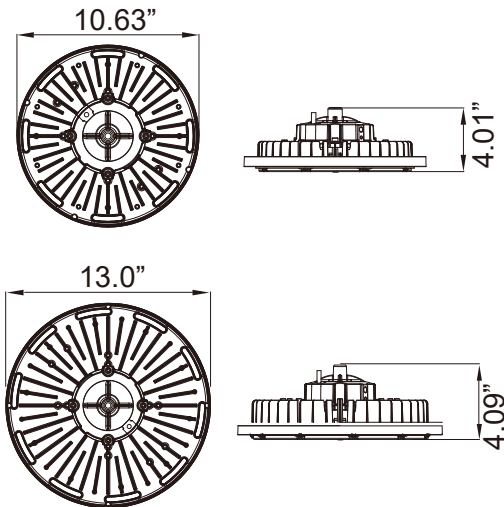


UFO HIGH BAY LIGHT

CCT & Wattage Selectable Integrated LED UFO High Bay Light Fixture

DESCRIPTION

The new generation of LED high bay light adopts the appearance of UFO, which makes it more futuristic, longer lifespan, lower maintenance and higher efficiency. Replace less-efficient traditional metal halide bulb output. Slim body, lightweight no bulky heat sink, LED high bay light can also work with 0-10V dimmer, brightness is adjustable as your desire. Preinstalled hook make it easy for a fast installation and come with an alternative sturdy U-bracket to mount the LED high bay light to wall or ceiling and adjust it to achieve expected emitting angle. It's simple to replace existing lights or make a new installation. The LED high bay light is ideal for commercial or industrial lighting, such as warehouses, factories, gyms, supermarkets, stadiums, retail spaces, workshops, industrial areas, garages, etc.



LJC-UFO-27277-8150C-30ED-W

Power Tunable



CCT Tunable



LJC-UFO-33277-8240C-30ED-W

Power Tunable



CCT Tunable



DIMENSION

Type	100-120-150W	150-200-240W
Length(Inch)	10.63	13.0
Wight(Inch)	10.63	13.0
Height(Inch)	4.01	4.09
Weight(LB)	4.63	7.28



ORDERING INFORMATION

Series	LJC-UFO-27277-8150C-30ED-W	LJC-UFO-33277-8240C-30ED-W
CRI	80	80
Power	100-120-150W	150-200-240W
CCT	3000K/4000/5000K(CCT Selectable)	3000K/4000/5000K(CCT Selectable)
Lumens	14500/17400/21750lm	21750/29000/34800lm
Efficacy	140LM/W(3000K),150LM/W(4000K),145LM/W(5000K)	140LM/W(3000K),150LM/W(4000K),145LM/W(5000K)
Dimmable	0-10V	0-10V

PRODUCT DESCRIPTION

- Beam angle: 90°
- Lumen output: 137-150LM/W
- AC120-277V , 0-10V dimmable
- CRI>80 , PF> 0.92 , UGR<28
- Temperature: -40°F-122°F(-40 °C to 50°C)
- LED driver with over-temperature protection function
- Non-flicker, Anti-glare PC lens, protect your eyes
- Lamp body color: black & white optional
- IP65
- UL/DLC/FCC Certifications
- PIR Motion Sensor (Optional)

BENEFITS

- Advanced heat dissipation technology.
- Aluminum alloy body coated with black/ white anti-corrosion coating surface to better realize heat radiation and heat dissipation
- Active cooling heatsink, high thermal conduction.
- The heat conductivity could reach 2.0



WARRANTY

This product is warranted for 5 years from the date of purchase. If this product does not perform to the specifications supplied on this package, send an email to support@runbisonlighting.com for product return and replacement. This replacement is the sole remedy available. Liability for incidental or consequential damage is expressly excluded.

