



Project _____ Catalog # _____ Prepared by _____ Notes _____ Order # _____ Date _____

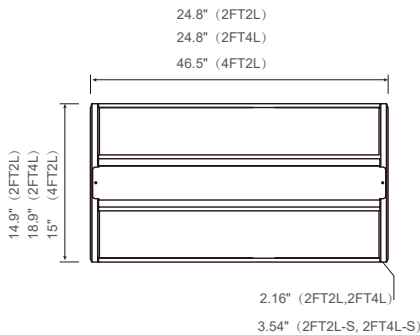
LED Linear High Bay Light Fixture

LED Linear High Bay Fixture With Optional Motion Sensor

DESCRIPTION

The RUN BISON LED high bay light provides an exceptional quality lighting environment and more productive ambiance for workplaces, retail, office and school with high efficiency. Compared with conventional fluorescent fixtures, LED offers more than 60% or more energy saving and last at least 50000-hours with DLC standard or premium compliance. Offering substantial energy savings and no mercury lamp content.

These fixtures are DLC and UL certified.



DIMENSION

Type	2FT2L	2FT2L-S	2FT4L	2FT4L-S
Length(Inch)	24.8	24.8	24.8	24.8
Width(Inch)	14.9	14.9	18.9	18.9
Height(Inch)	3.54	3.54	2.16	2.16
Weight(LBS)	10.25	10.25	12.1	12.1

ORDERING INFORMATION

Series	HT-G3LHB-2FT2L-F8155/277-250D	HT-G3LHB-2FT2L-F8155/277-250D-S	HT-G3LHB-2FT4L-F8210/277-250D	HT-G3LHB-2FT4L-F8210/277-250D-S
CRI	80	80	80	80
Power	155W	155W	210W	210W
CCT	5000K	5000K	5000K	5000K
Lumens	20925LM	20925LM	28350LM	28350LM
Efficacy	135LM/W	135LM/W	135LM/W	135LM/W
Dimmable	0-10V	0-10V	0-10V	0-10V





SPECIFICATION FEATURES

CONSTRUCTION & OPTICS

- Unit includes heavy duty metal frame, LED array, heat sink, lens and gasket.
- High quality frosted PMMA lens.
- Efficiency LED array.
- Diffuse for uniform illumination.
- CRI 80+
- Optional motion sensor

DRIVER

- 120-277V universal input voltage.
- 0-10V smooth flicker free dimmable.

MOUNTING

- Hanging mount
- Surface Mount (Optional)

COMPLIANCE/CERTIFICATION

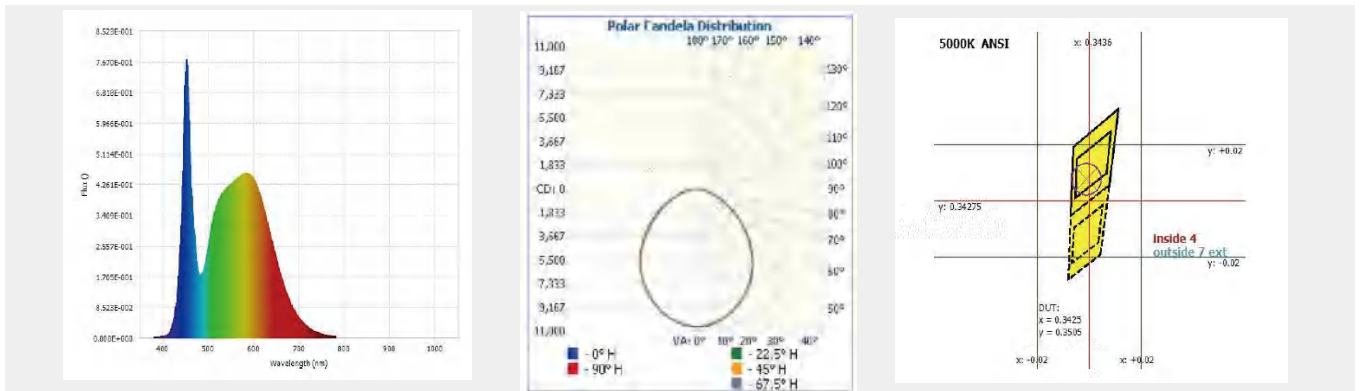
- DLC Listed
- UL 8750 LED equipment in Lighting Products

COMPLIANCE/CERTIFICATION

5 years manufacturer warranty, consult support@runbisonlighting.com for more details. Terms and conditions may apply.



PHOTOMETRY



WARRANTY

This product is warranted for 5 years from the date of purchase. If this product does not perform to the specifications supplied on this package, send an email to support@runbisonlighting.com for product return and replacement. This replacement is the sole remedy available. Liability for incidental or consequential damage is expressly excluded.

