



Project _____ Catalog # _____ Prepared by _____ Notes _____ Order # _____ Date _____

LED Step Light Series

120V 5CCT Line Voltage Horizontal /Vertical Step Light



DESCRIPTION

The Horizontal /Vertical LED stair lights have a sleek, modern design that is a great addition to any home or building. They can be installed in your steps or in the wall to provide beautiful lighting to your stairs. These step lights feature a color selectable switch so you can choose the proper light color of 2700K warm white, 3000K soft white, 3500K natural white, 4000K cool white, or 5000K daylight . They are popular as deck lights, patio step lights and stairwell lighting and for use down long hallways or as supplemental lighting in bathrooms. These stairwell lights provide 100 Lumens of light output and have a high CRI rating of 90, producing an accurate rendering of colors in your room. They're waterproof and made of corrosion-resistant aluminum making them ideal for wet locations.

The step and wall lights can be installed onto a standard 2in x 4in electrical junction box,they are ETL Listed and can be used for indoor and outdoor applications and come with 5-year limited warranty.





LED Step Light Series

120V 5CCT Line Voltage Horizontal /Vertical Step Light



SPECIFICATION FEATURES

5CCT

- Select color temperature from 2700K warm white, 3000K soft white, 3500K natural white, 4000K cool white, or 5000K daylight for your environment.

CONSTRUCTION

- Sleek, solid die-cast aluminum line voltage fixture directs light down
- Standard metallic and non-metallic 2in x 4in electrical boxes are recommended for installation

FINISH

- Coated with white finish perfect for corrosion resistance

AMBIENT TEMP

- 20°C - 40°C
- Wet location rated for indoor and outdoor use

WARRANTY

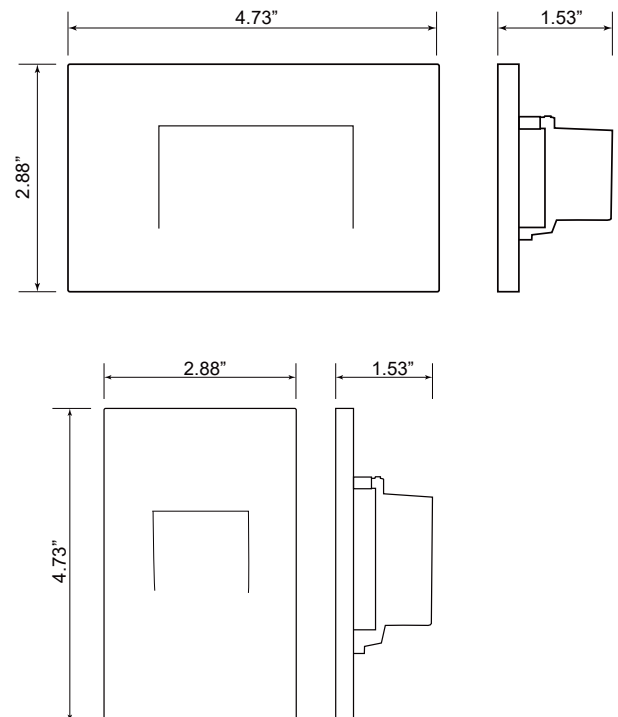
- 5-year warranty

CERTIFICATION

- ETL/FCC Listed

ORDERING INFORMATION

| Series | MSLH-3W-5CCT | MSLV-3W-5CCT |
|-----------------|---------------------|---------------------|
| Input Frequency | AC120V, 60Hz | AC120V, 60Hz |
| CRI | 90 | 90 |
| Power | 3W | 3W |
| CCT | 27K/30K/35K/40K/50K | 27K/30K/35K/40K/50K |
| Lumens | 100lm | 70-100lm |
| Beam Angle | 90° | 90° |
| Width(Inch) | 4.7 | 4.7 |
| Width(Inch) | 1.6 | 1.6 |
| Height(Inch) | 2.88 | 2.88 |
| Weight(LBS) | 0.31 | 0.31 |





LED Step Light Series

120V 5CCT Line Voltage Horizontal /Vertical Step Light



INSTALLATION

MSLH-3W-5CCT

Fig.1

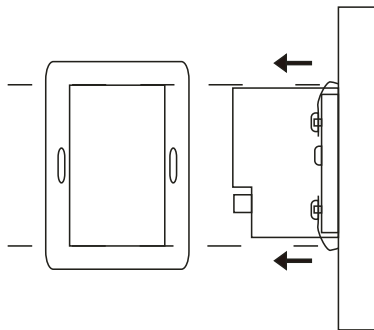
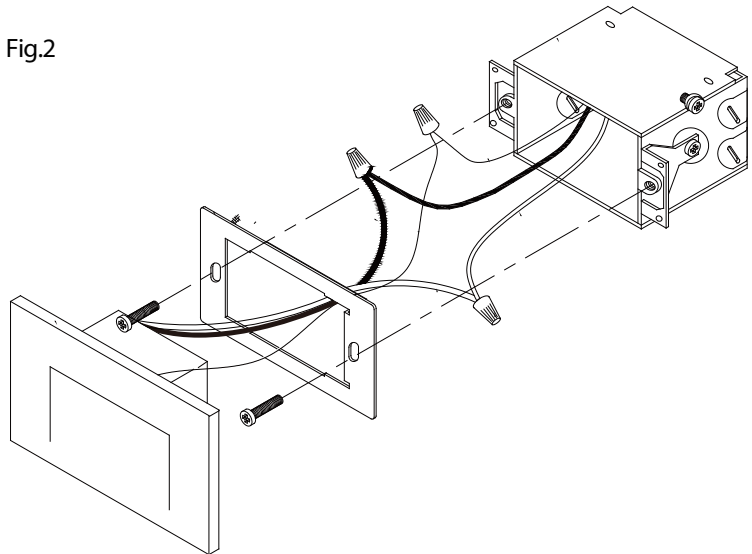


Fig.2



MSLV-3W-5CCT

Fig.1

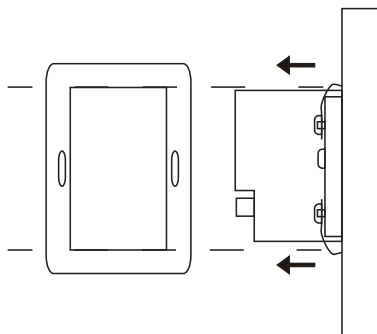
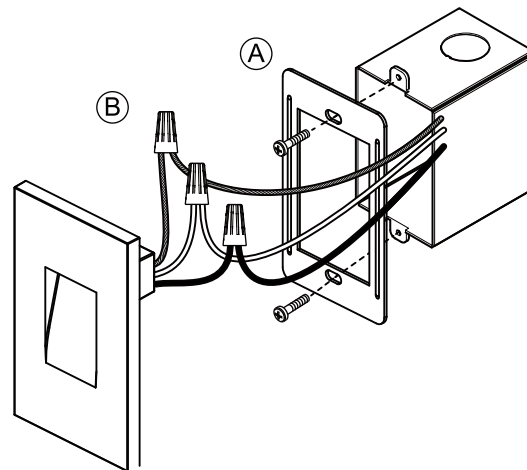


Fig.2



WARRANTY

This product is warranted for 5 years from the date of purchase. If this product does not perform to the specifications supplied on this package, send an email to support@runbisonlighting.com for product return and replacement. This replacement is the sole remedy available. Liability for incidental or consequential damage is expressly excluded.

